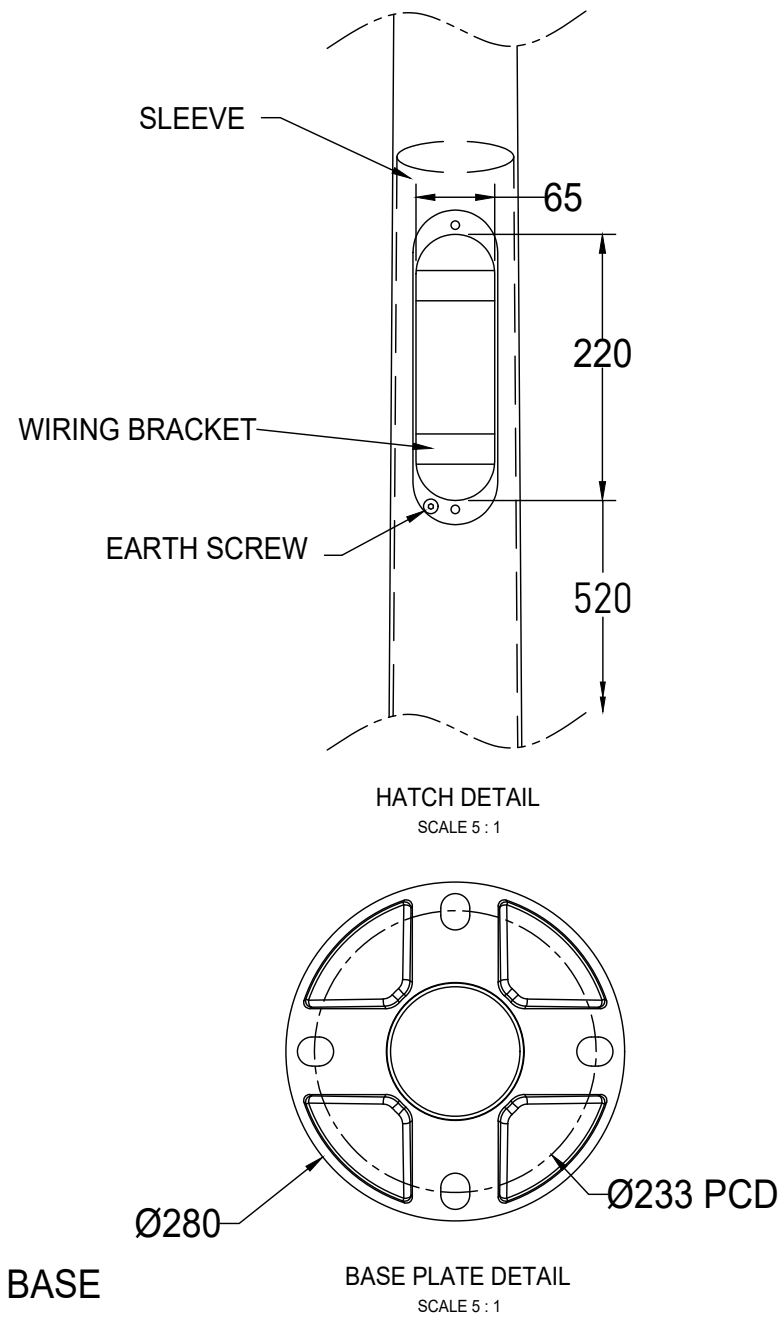


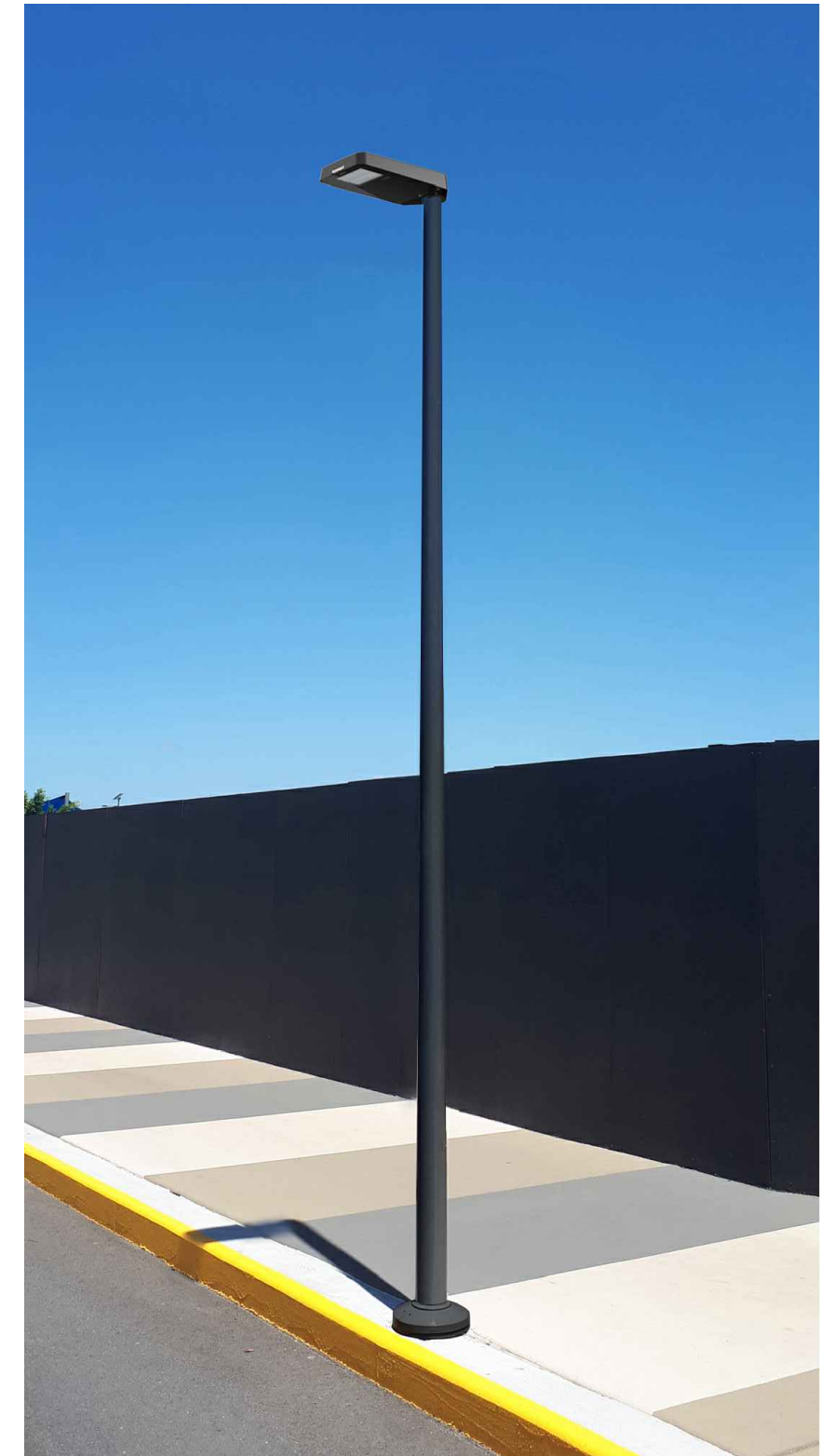
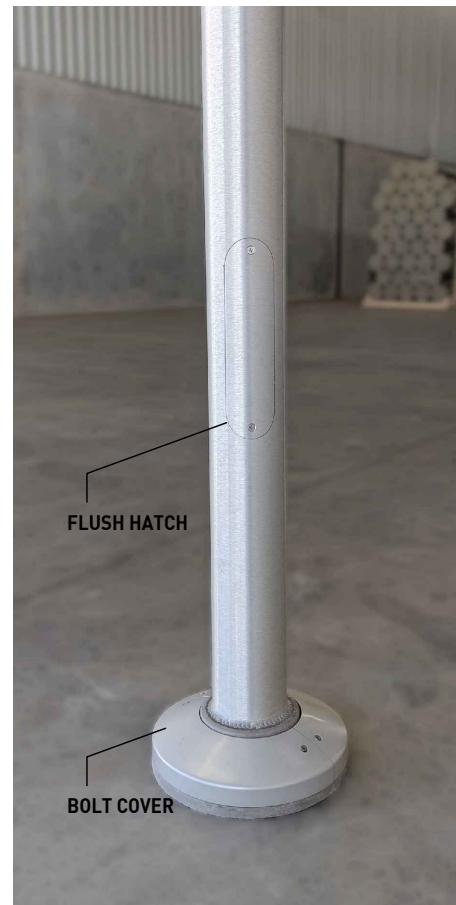
4000
 Ø76 @ POLE TOP
 Ø60 ADAPTER AVAILABLE



FGL
 Ø114 @ BASE

NOTE: FINISH OPTIONS

Finish 1: BRUSHED ANODIZED
 Finish 2: POWDER COAT



**Foundation bolts
 M20 @ 233 PCD**

NOTE

All poles manufactured in accordance with relevant standards.

Soil testing, footing design and certification services available on request.

IP 65 rated electrical enclosures to be used for electrical connections.

All buried components to be coated with DUREBILD STE 150 microns.

DO NOT SCALE DRAWING
 DIMENSIONS IN MILLIMETRES

THIRD ANGLE PROJECTION

DIMENSION TOLERANCES UNLESS OTHERWISE SPECIFIED
 2 PLACE DECIMAL 0.00 ± 0.1mm
 1 PLACE DECIMAL 0.0 ± 0.25mm
 0 PLACE DECIMAL 0 ± 0.50mm
 ANGULAR ± 15 MINUTES(0.25°)

DRAWN BY	DATE	SCALE
E.K.	13-OCT-25	N.T.S.
CHECKED BY	DATE	REVISION
A.B.	13-OCT-25	0
APPROVED BY	DATE	DATE RELEASED
A.B.	13-OCT-25	13-OCT-2025

Urban Aluminium Pty Ltd
 www.urban-al.com.au
 info@urban-al.com.au

GM POLES / Urban Aluminium
 490 Freeman Road, Richlands QLD 4077
 Australia

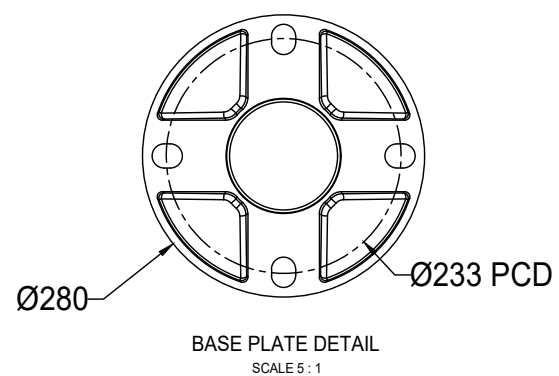
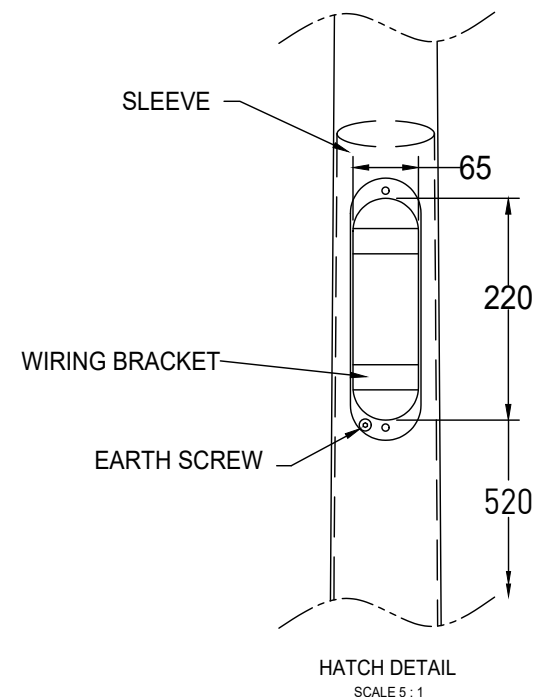
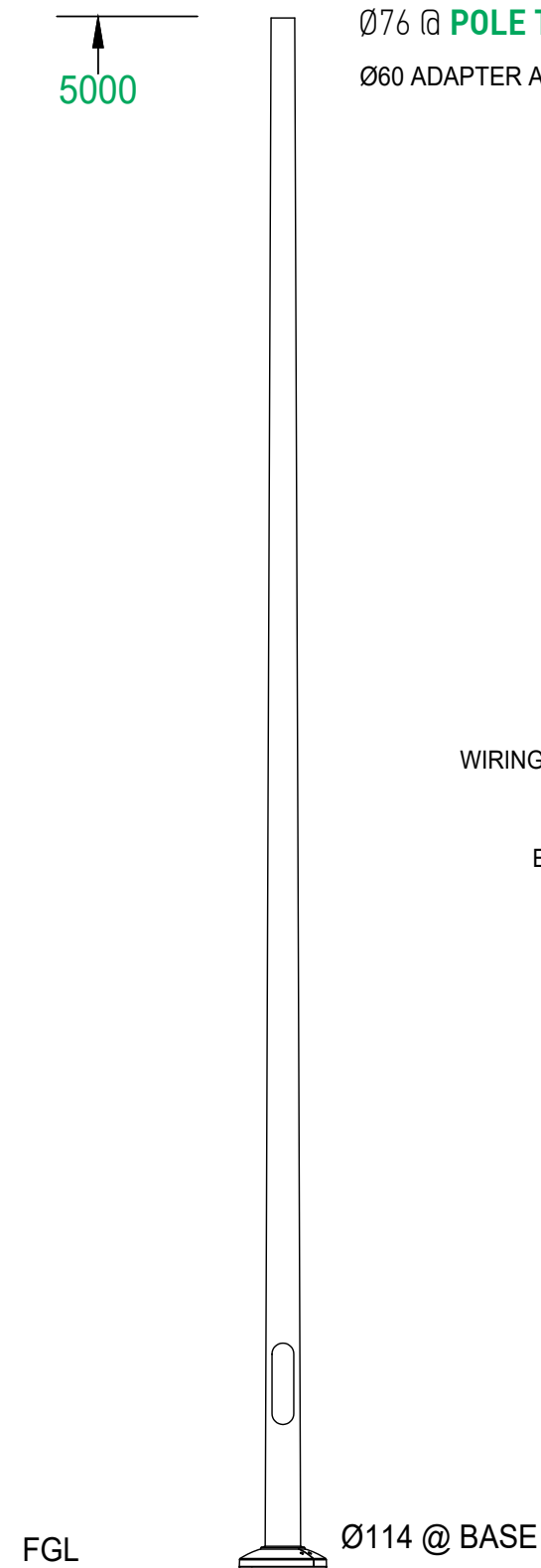
COMMENT
 N/A

UrbanAluminium™
 FUTURE SMART



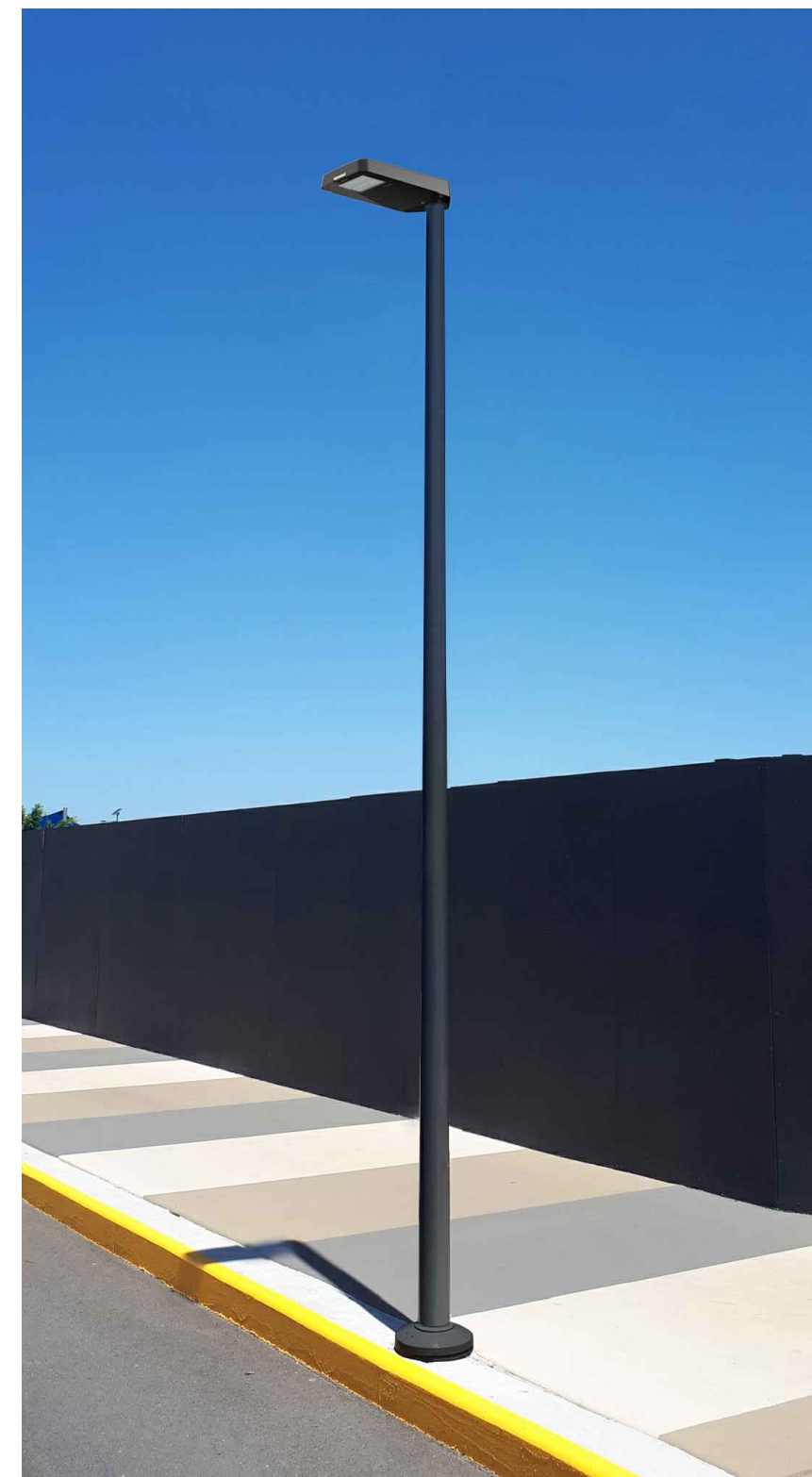
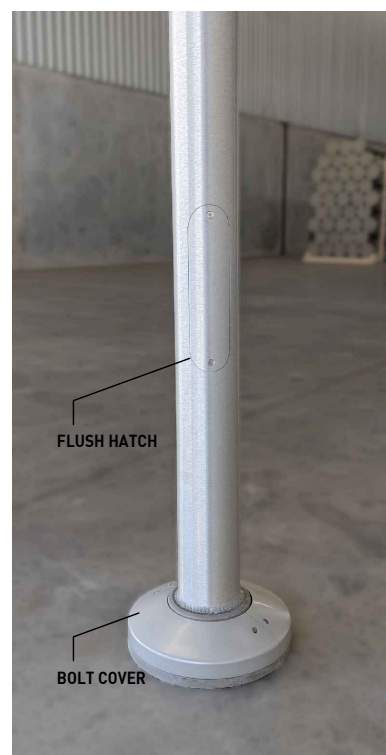
TITLE STEM 114-76 TAPER 4000	
PROJECT STEM POLES	PART No. STM-TA-4
DRAWING No. STM-TA-4	SHEET No. 1

REV.	REVISION DETAILS	BY	DATE



NOTE: FINISH OPTIONS

Finish 1: BRUSHED ANODIZED
Finish 2: POWDER COAT



**Foundation bolts
M20 @ 233 PCD**

NOTE

All poles manufactured in accordance with relevant standards.

Soil testing, footing design and certification services available on request.

IP 65 rated electrical enclosures to be used for electrical connections.

All buried components to be coated with DUREBILD STE 150 microns.

DO NOT SCALE DRAWING
DIMENSIONS IN MILLIMETRES

THIRD ANGLE PROJECTION

DIMENSION TOLERANCES UNLESS OTHERWISE SPECIFIED
2 PLACE DECIMAL 0.00 ± 0.1mm
1 PLACE DECIMAL 0.0 ± 0.25mm
0 PLACE DECIMAL 0 ± 0.50mm
ANGULAR ± 15 MINUTES(0.25°)

DRAWN BY	DATE	SCALE
E.K.	13-OCT-25	N.T.S.
CHECKED BY	DATE	REVISION
A.B.	13-OCT-25	0
APPROVED BY	DATE	DATE RELEASED
A.B.	13-OCT-25	13-OCT-2025

Urban Aluminium Pty Ltd
www.urban-al.com.au
info@urban-al.com.au

GM POLES / Urban Aluminium
490 Freeman Road, Richlands QLD 4077
Australia

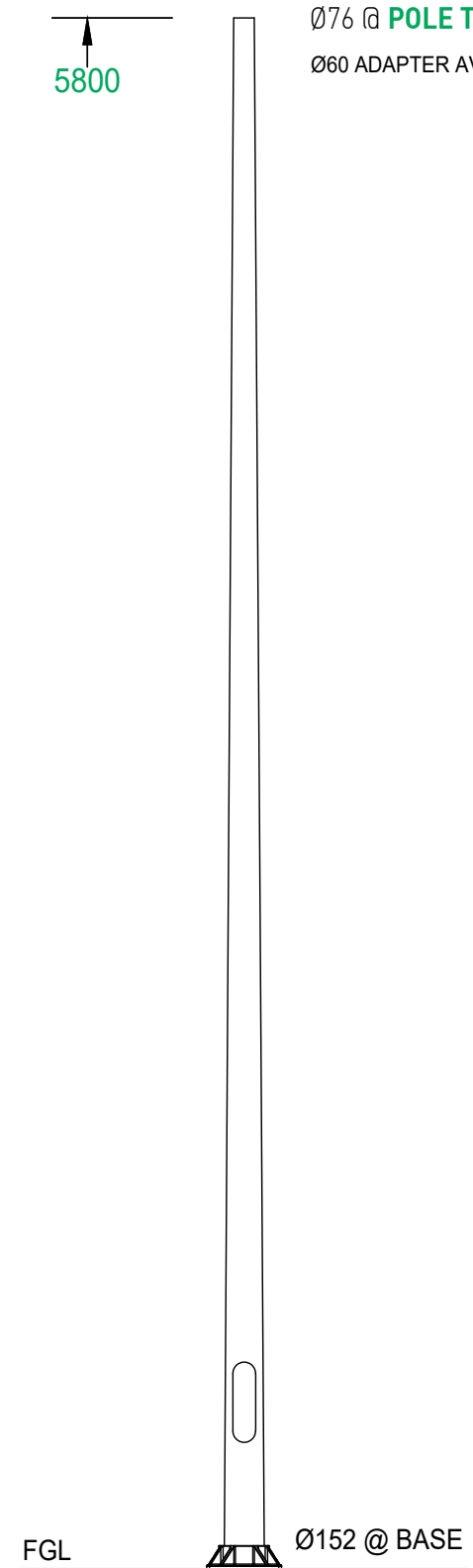
COMMENT
N/A

UrbanAluminium™
FUTURE SMART



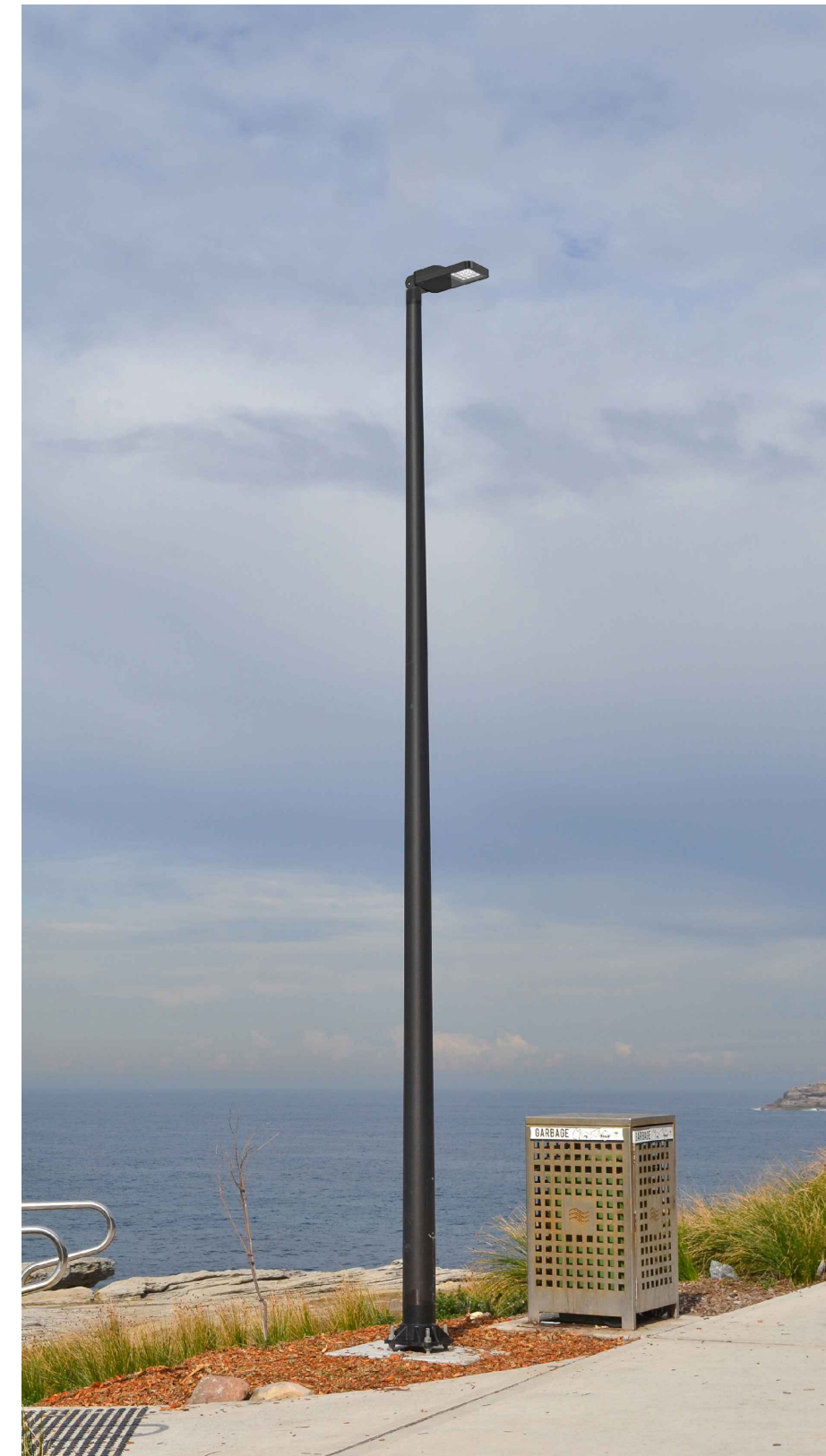
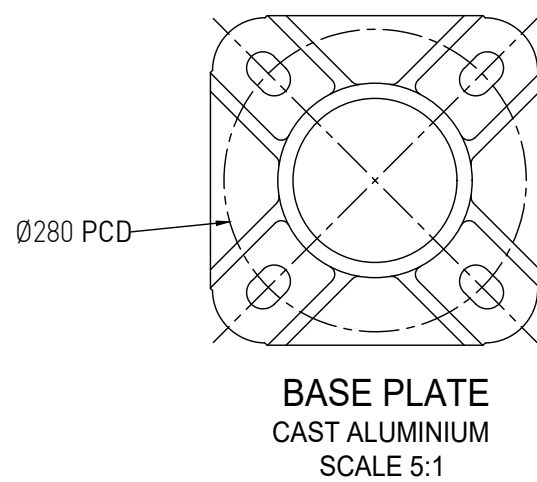
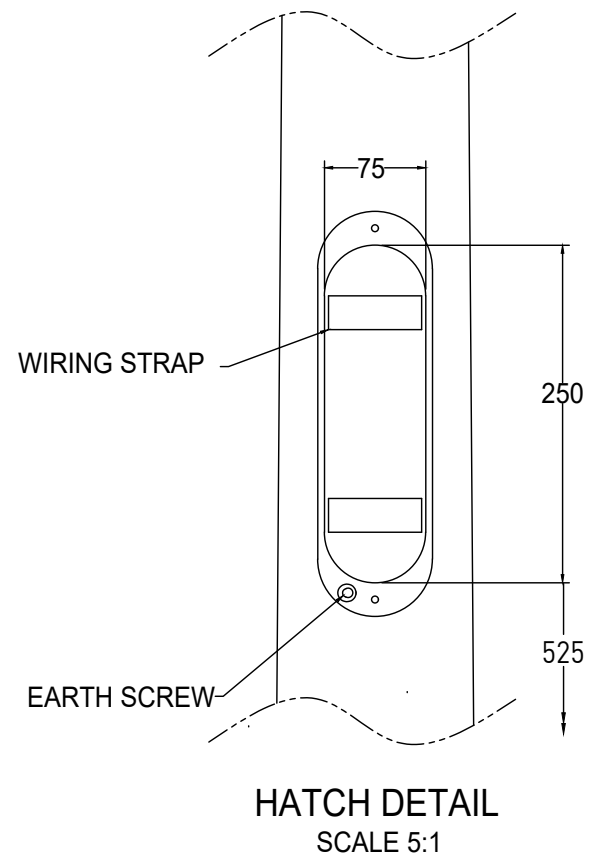
TITLE STEM 114-76 TAPER 5000	
PROJECT STEM POLES	PART No. STM-TA-5
DRAWING No. STM-TA-5	SHEET No. 1

REV.	REVISION DETAILS	BY	DATE



NOTE: FINISH OPTIONS

Finish 1: BRUSHED ANODIZED
Finish 2: POWDER COAT



**Foundation bolts
M20 @ 280 PCD**

NOTE

All poles manufactured in accordance with relevant standards.

Soil testing, footing design and certification services available on request.

IP 65 rated electrical enclosures to be used for electrical connections.

All buried components to be coated with DUREBILD STE 150 microns.

**DO NOT SCALE DRAWING
DIMENSIONS IN MILLIMETRES**

THIRD ANGLE PROJECTION

DIMENSION TOLERANCES UNLESS OTHERWISE SPECIFIED	
2 PLACE DECIMAL 0.00 ± 0.1mm	
1 PLACE DECIMAL 0.0 ± 0.25mm	
0 PLACE DECIMAL 0 ± 0.50mm	
ANGULAR ± 15 MINUTES(0.25°)	

DRAWN BY	DATE	SCALE
E.K.	13-OCT-25	N.T.S.
CHECKED BY	DATE	REVISION
A.B.	13-OCT-25	0
APPROVED BY	DATE	DATE RELEASED
A.B.	13-OCT-25	13-OCT-2025

Urban Aluminium Pty Ltd
www.urban-al.com.au
info@urban-al.com.au

GM POLES / Urban Aluminium
490 Freeman Road, Richlands QLD 4077
Australia

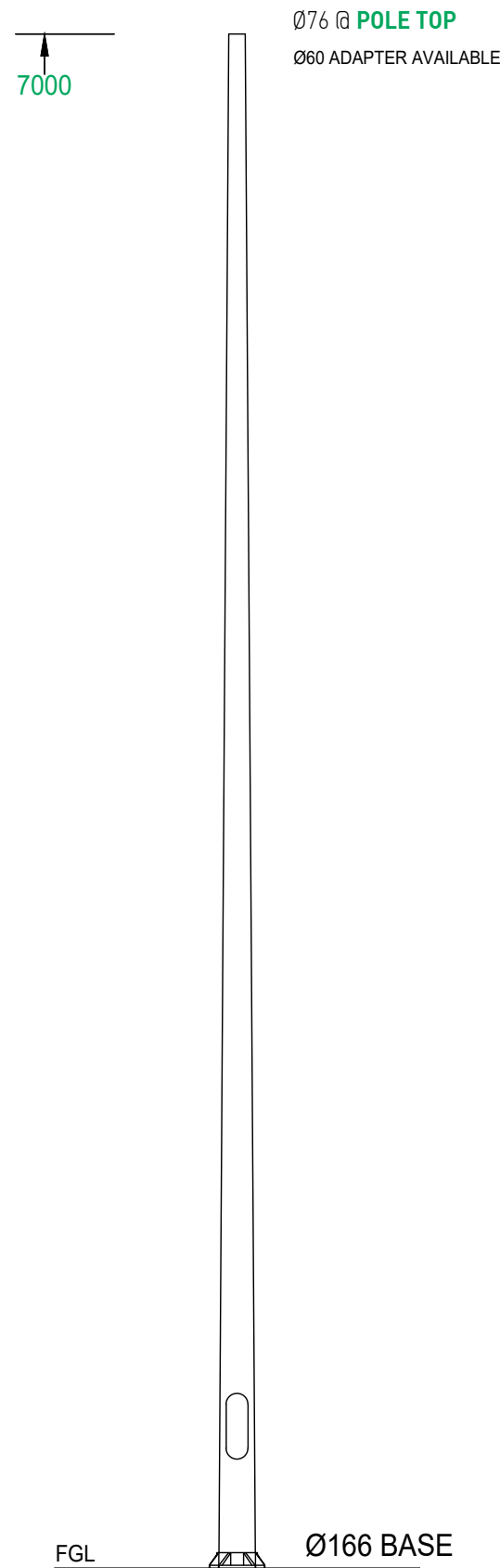
COMMENT
N/A

UrbanAluminium™
FUTURE SMART



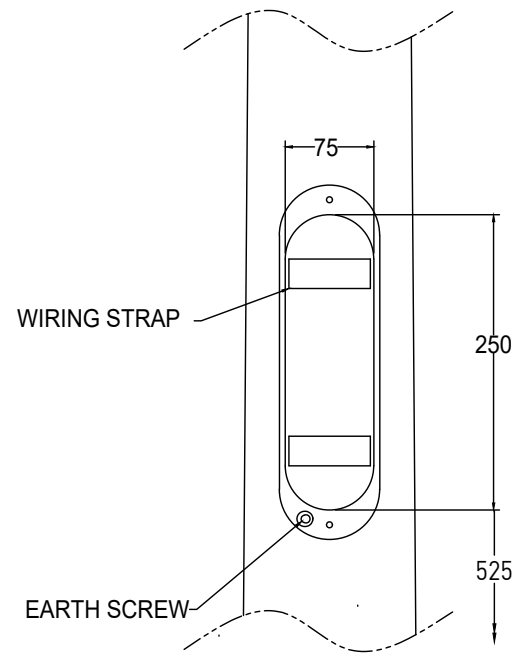
TITLE STEM 152-76 TAPER 6000	
PROJECT STEM POLES	PART No. STM-TA-6
DRAWING No. STM-TA-6	SHEET No. 1

REV.	REVISION DETAILS	BY	DATE

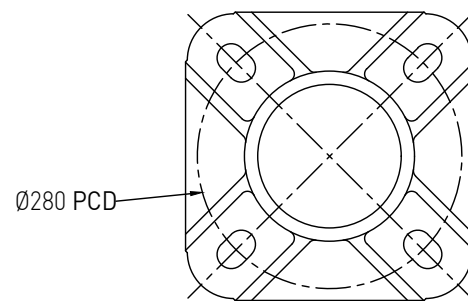


NOTE: FINISH OPTIONS

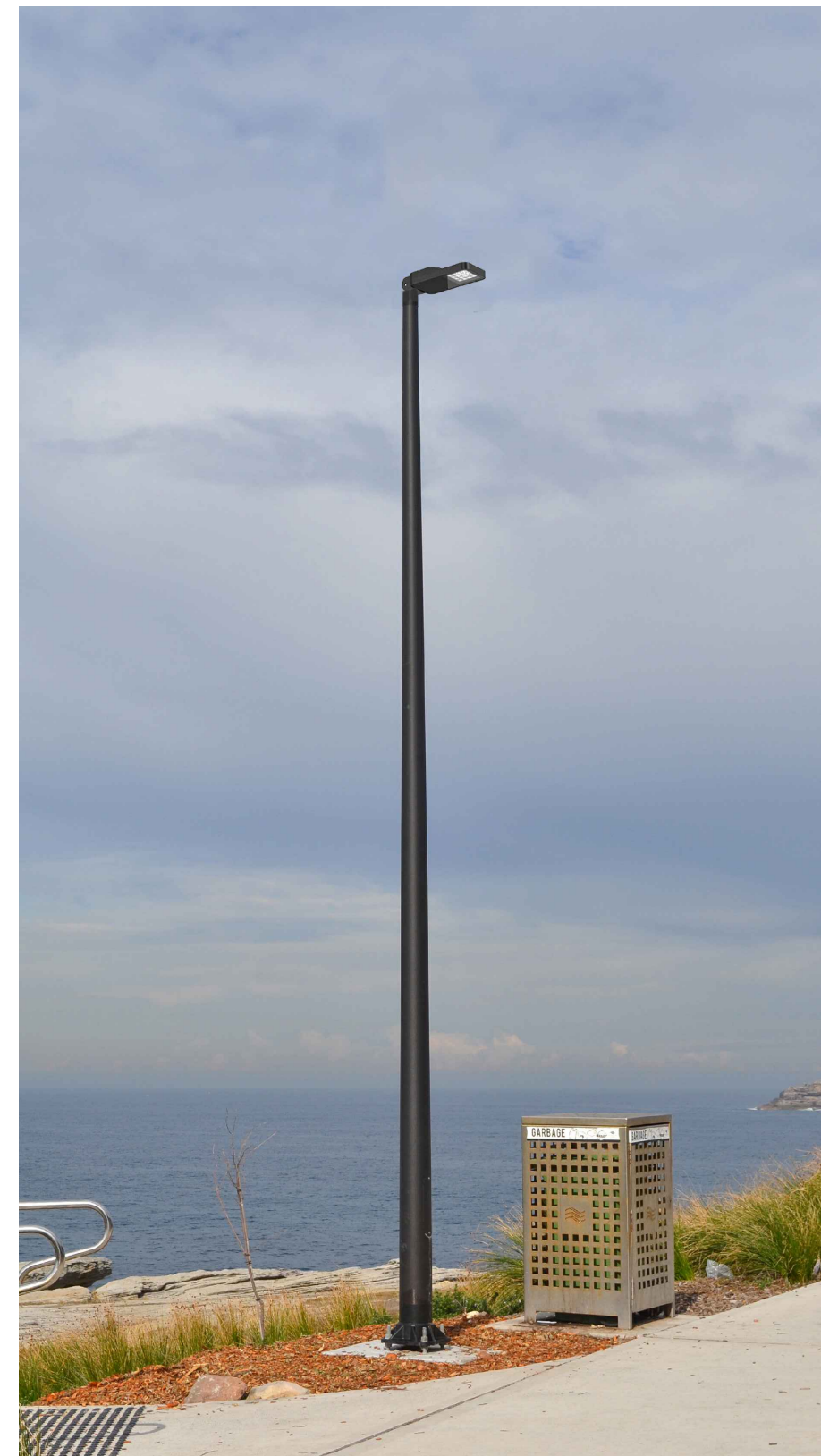
Finish 1: BRUSHED ANODIZED
Finish 2: POWDER COAT



HATCH DETAIL
SCALE 5:1



BASE PLATE
CAST ALUMINIUM
SCALE 5:1



Foundation bolts
M20 @ 280 PCD

NOTE

All poles manufactured in accordance with relevant standards.

Soil testing, footing design and certification services available on request.

IP 65 rated electrical enclosures to be used for electrical connections.

All buried components to be coated with DUREBILD STE 150 microns.

DO NOT SCALE DRAWING
DIMENSIONS IN MILLIMETRES

THIRD ANGLE PROJECTION

DIMENSION TOLERANCES UNLESS OTHERWISE SPECIFIED

2 PLACE DECIMAL	0.00 ± 0.1mm
1 PLACE DECIMAL	0.0 ± 0.25mm
0 PLACE DECIMAL	0 ± 0.50mm
ANGULAR	± 15 MINUTES(0.25°)

Urban Aluminium Pty Ltd
www.urban-al.com.au
info@urban-al.com.au

GM POLES / Urban Aluminium
490 Freeman Road, Richlands QLD 4077
Australia

DRAWN BY	DATE	SCALE
E.K.	13-OCT-25	N.T.S.
CHECKED BY	DATE	REVISION
A.B.	13-OCT-25	0
APPROVED BY	DATE	DATE RELEASED
A.B.	13-OCT-25	13-OCT-2025

COMMENT

N/A

UrbanAluminium™
FUTURE SMART

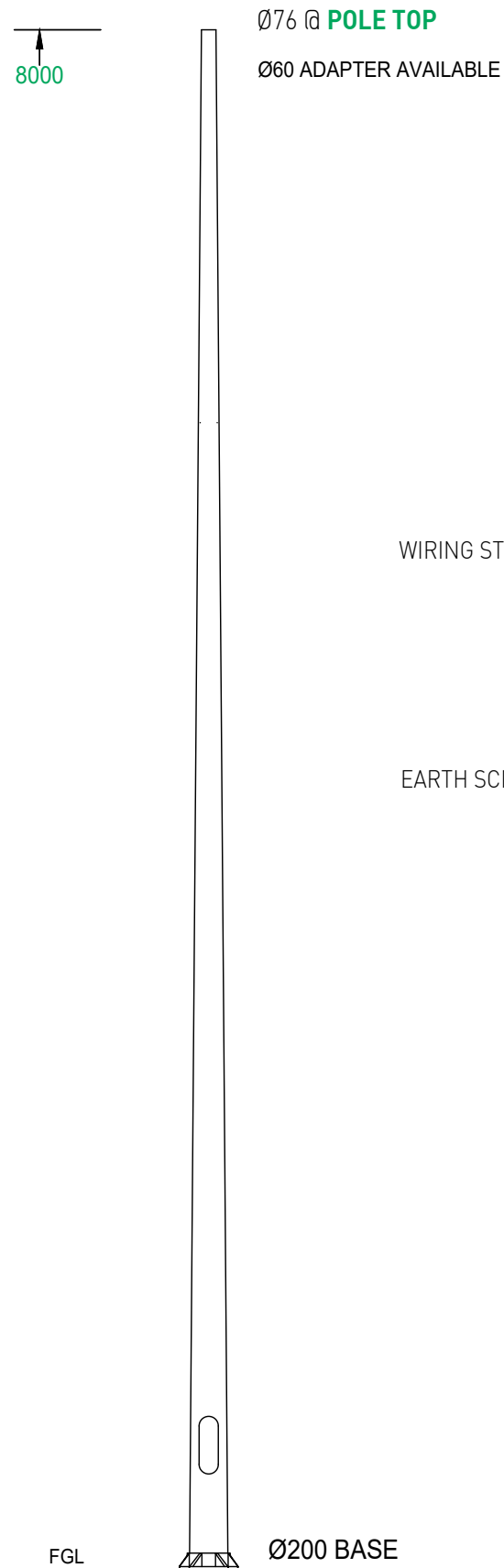


TITLE

STEM 166-76 TAPER 7000

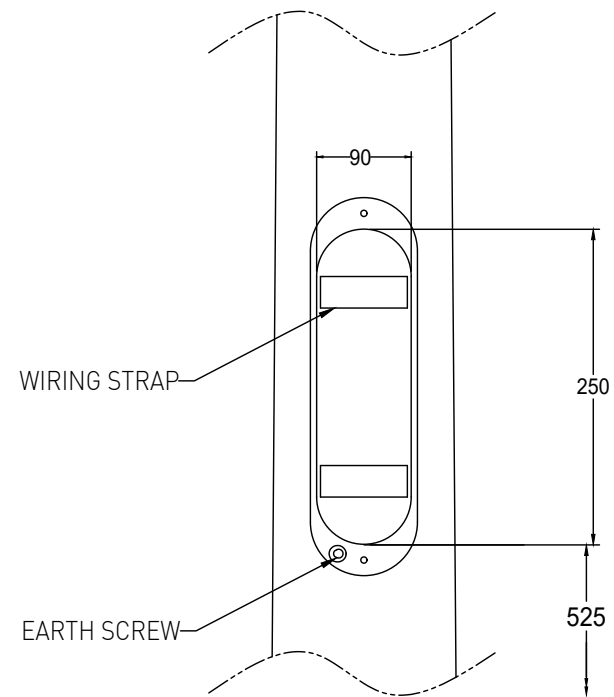
PROJECT	PART No.
STEM POLES	STM-TA-7
DRAWING No. STM-TA-7	SHEET No. 1

REV.	REVISION DETAILS	BY	DATE

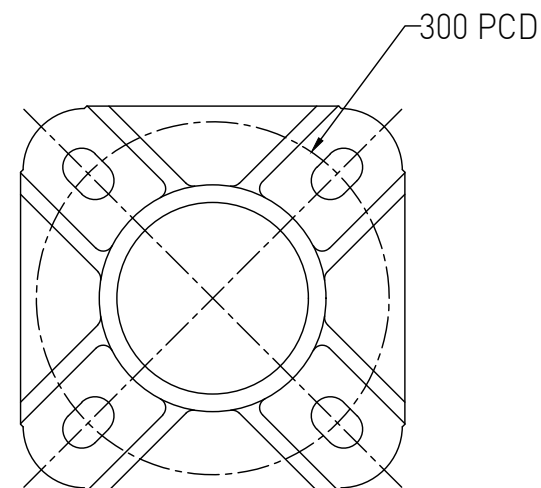


NOTE: FINISH OPTIONS

Finish 1: BRUSHED ANODIZED
Finish 2: POWDER COAT



HATCH DETAIL
SCALE 5:1



BASE PLATE
CAST ALUMINIUM
SCALE 5:1



**Foundation bolts
M20 @ 300 PCD**

NOTE

All poles manufactured in accordance with relevant standards.

Soil testing, footing design and certification services available on request.

IP 65 rated electrical enclosures to be used for electrical connections.

All buried components to be coated with DUREBILD STE 150 microns.

**DO NOT SCALE DRAWING
DIMENSIONS IN MILLIMETRES**

THIRD ANGLE PROJECTION

DIMENSION TOLERANCES UNLESS OTHERWISE SPECIFIED	
2 PLACE DECIMAL 0.00 ± 0.1mm	
1 PLACE DECIMAL 0.0 ± 0.25mm	
0 PLACE DECIMAL 0 ± 0.50mm	
ANGULAR ± 15 MINUTES(0.25°)	

DRAWN BY	DATE	SCALE
E.K.	13-OCT-25	N.T.S.
CHECKED BY	DATE	REVISION
A.B.	13-OCT-25	0
APPROVED BY	DATE	DATE RELEASED
A.B.	13-OCT-25	13-OCT-2025

Urban Aluminium Pty Ltd
www.urban-al.com.au
info@urban-al.com.au

GM POLES / Urban Aluminium
490 Freeman Road, Richlands QLD 4077
Australia

COMMENT

N/A

UrbanAluminium™
FUTURE SMART



TITLE		STEM 200-76 TAPER 8000	
PROJECT	STEM POLES	PART No.	STM-TA-8
DRAWING No.	STM-TA-8	SHEET No.	1