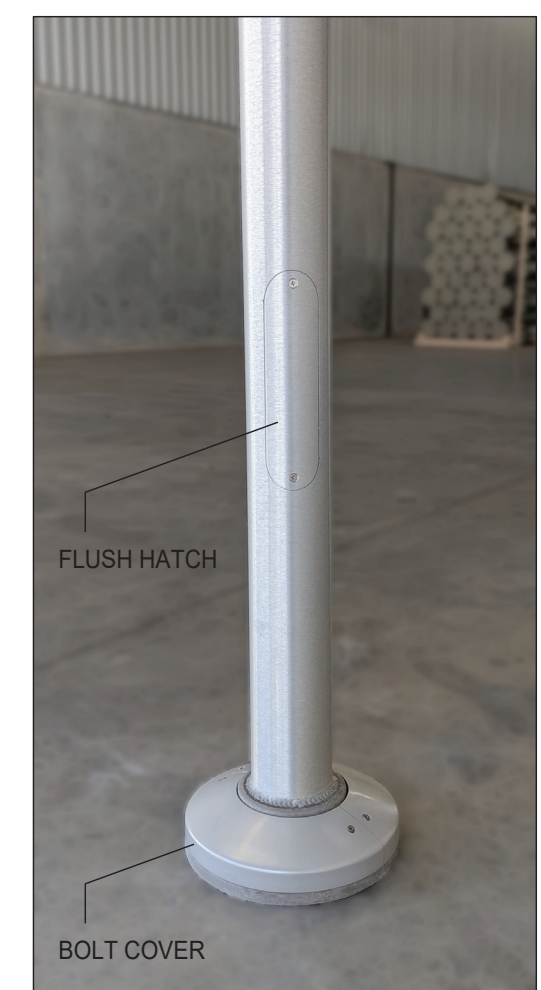
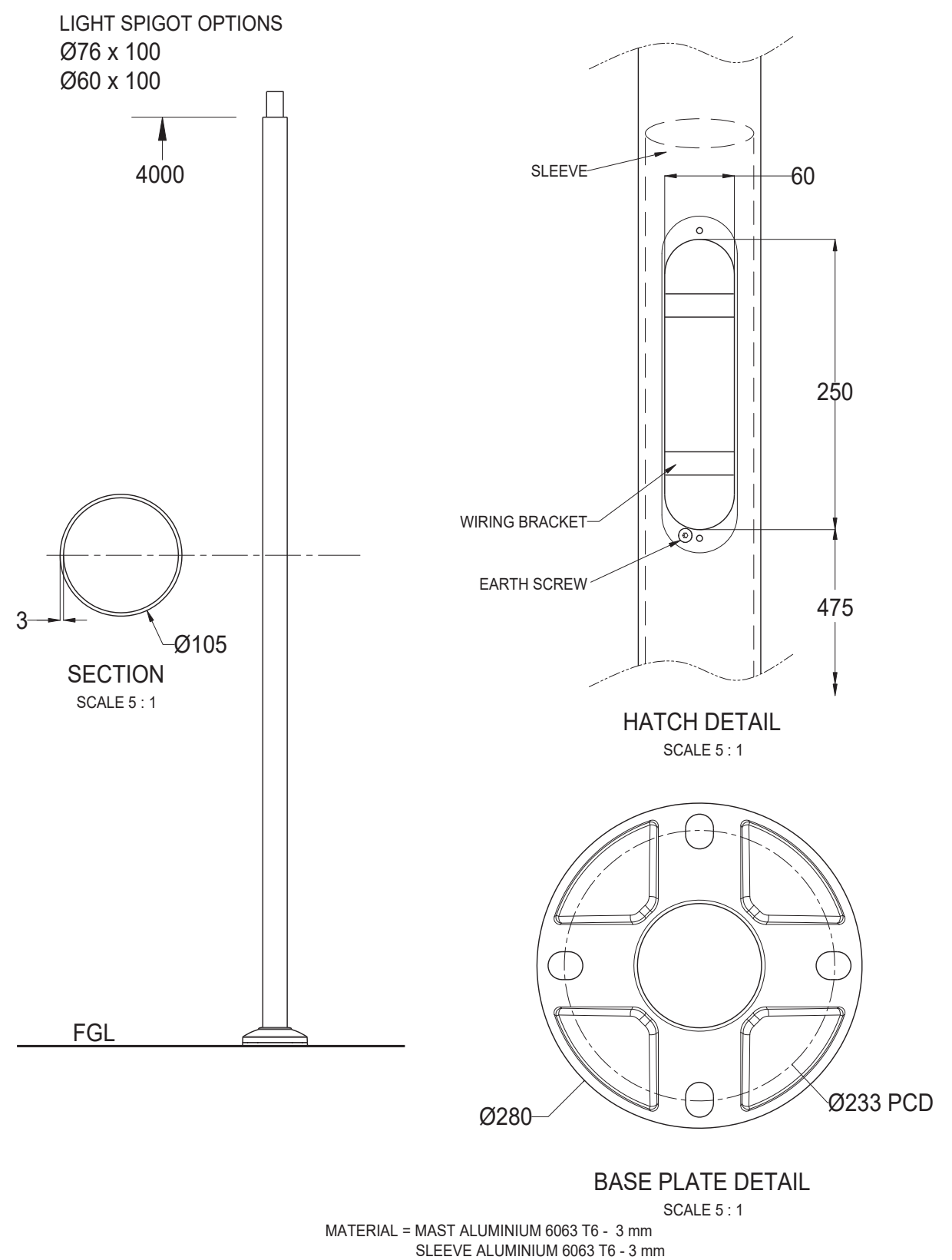


ISSUE	C.O. No.	REVISION	LOCATION	BY	DATE



Foundation bolts
M20 @ 233 PCD

NOTE
 All poles manufactured in accordance with relevant standards (AUS/NZ 1158)

Pole footings to be engineered by others to suit local environmental and ground conditions.

NOTE - FINISH OPTIONS

Finish 1 = BRUSHED + ANODIZED
 Finish 2 = POWDER COAT

IP 65 rated electrical enclosures to be used for electrical connections.
 All buried components to be coated with **DUREBILD STE** 150 microns

DO NOT SCALE DRAWING DIMENSIONS IN MILLIMETRES	THIRD ANGLE PROJECTION	DRAWN BY AC	DATE 26/02/21	DOCUMENT No.
	DIMENSION TOLERANCES UNLESS OTHERWISE SPECIFIED 2 PLACE DECIMAL 0.00 ± 0.1mm 1 PLACE DECIMAL 0.0 ± 0.25mm 0 PLACE DECIMAL 0 ± 0.50mm ANGULAR ± 15 MINUTES (0.25°)	CHECKED BY	DATE	DISC FILE No.
		APPROVED BY	DATE	SCALE
		QUALITY APPROVED BY	DATE	ISSUE
SHEET	Urban Aluminium Pty Ltd www.urban-al.com.au info@urban-al.com.au	Unit 10, 7 Gundah Rd, Mt Kuring-Gai NSW 2080 AUSTRALIA Tel. +612 8921 5400	DATE RELEASED	PROJECT STEM POLES
			ITEM No.	DRAWING No. UA-0528
				PART No.
				SHEET No.

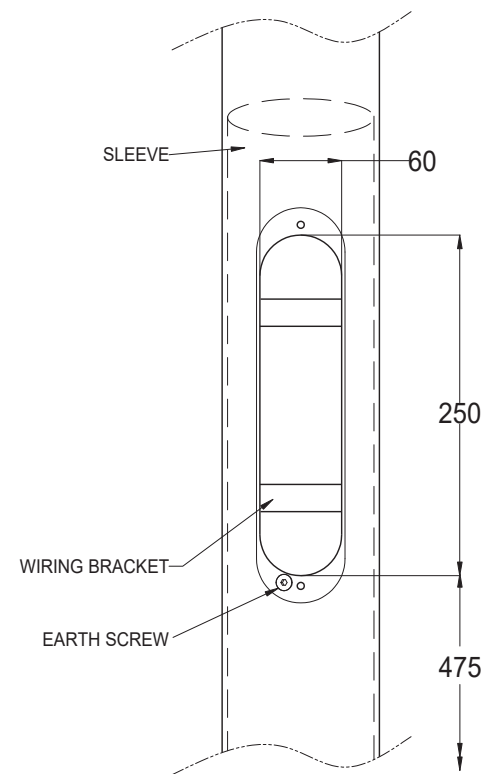
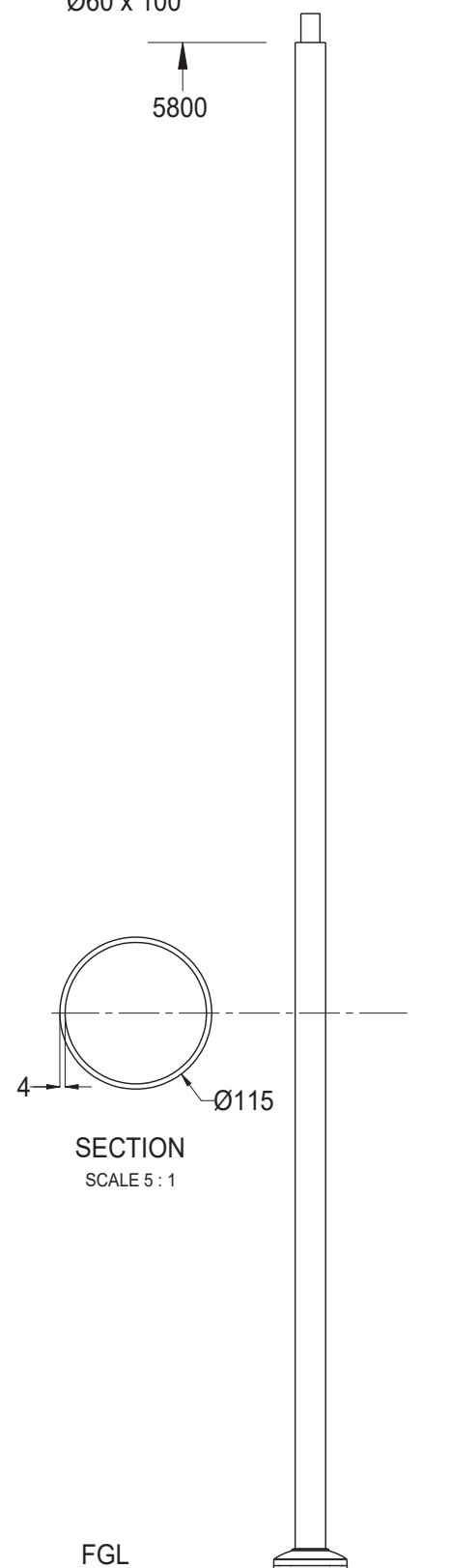
UrbanAluminium™
 FUTURE SMART

TITLE
STEM 105 STRAIGHT 4 METRE

LIGHT SPIGOT OPTIONS

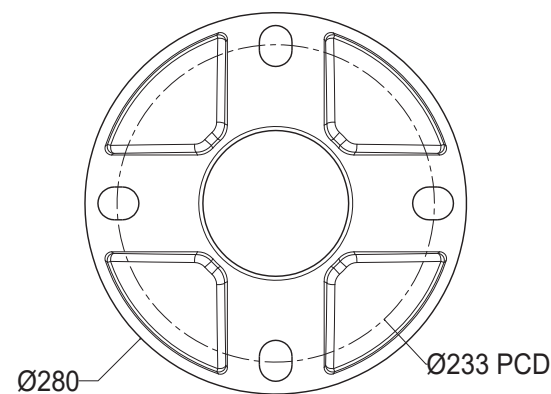
Ø76 x 100

Ø60 x 100



HATCH DETAIL

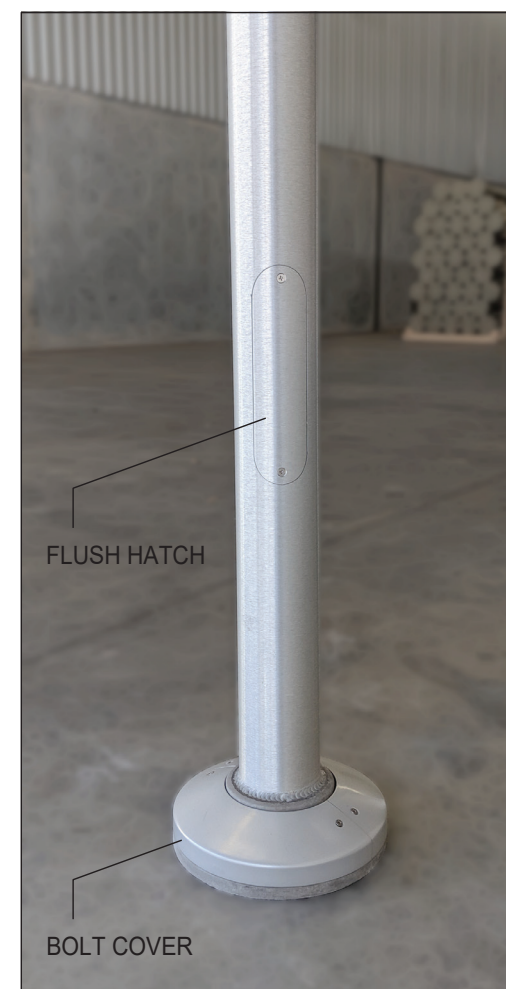
SCALE 5 : 1



BASE PLATE DETAIL

SCALE 5 : 1

MATERIAL = MAST ALUMINIUM 6063 T6 - 4 mm
SLEEVE ALUMINIUM 6063 T6 - 3 mm



FLUSH HATCH

BOLT COVER

ISSUE	C.O. No.	REVISION	LOCATION	BY	DATE



**Foundation bolts
M20 @ 233 PCD**

NOTE

All poles manufactured in accordance with relevant standards (AUS/NZ 1158)

Pole footings to be engineered by others to suit local environmental and ground conditions.

NOTE - FINISH OPTIONS

Finish 1 = BRUSHED + ANODIZED
Finish 2 = POWDER COAT

IP 65 rated electrical enclosures to be used for electrical connections.
All buried components to be coated with DUREBILD STE 150 microns

DO NOT SCALE DRAWING
DIMENSIONS IN MILLIMETRES

THIRD ANGLE PROJECTION

DIMENSION TOLERANCES UNLESS OTHERWISE SPECIFIED
2 PLACE DECIMAL 0.00 ± 0.1mm
1 PLACE DECIMAL 0.0 ± 0.25mm
0 PLACE DECIMAL 0 ± 0.50mm
ANGULAR ± 15 MINUTES (0.25°)

SHEET

Urban Aluminium Pty Ltd
www.urban-al.com.au
info@urban-al.com.au

DRAWN BY
AC

CHECKED BY

APPROVED BY

QUALITY APPROVED BY

DATE
24/03/21

DATE

DATE

DATE

Unit 10, 7 Gundah Rd, Mt Kuring-Gai
NSW 2080 AUSTRALIA
Tel. +612 8921 5400

DOCUMENT No.

DISC FILE No.

SCALE

ISSUE

DATE RELEASED

ITEM No.

UrbanAluminium™
FUTURE SMART



TITLE
STEM 115 STRAIGHT 6 METRE

PROJECT
STEM POLES

PART No.

DRAWING No.
UA-0542

SHEET No.