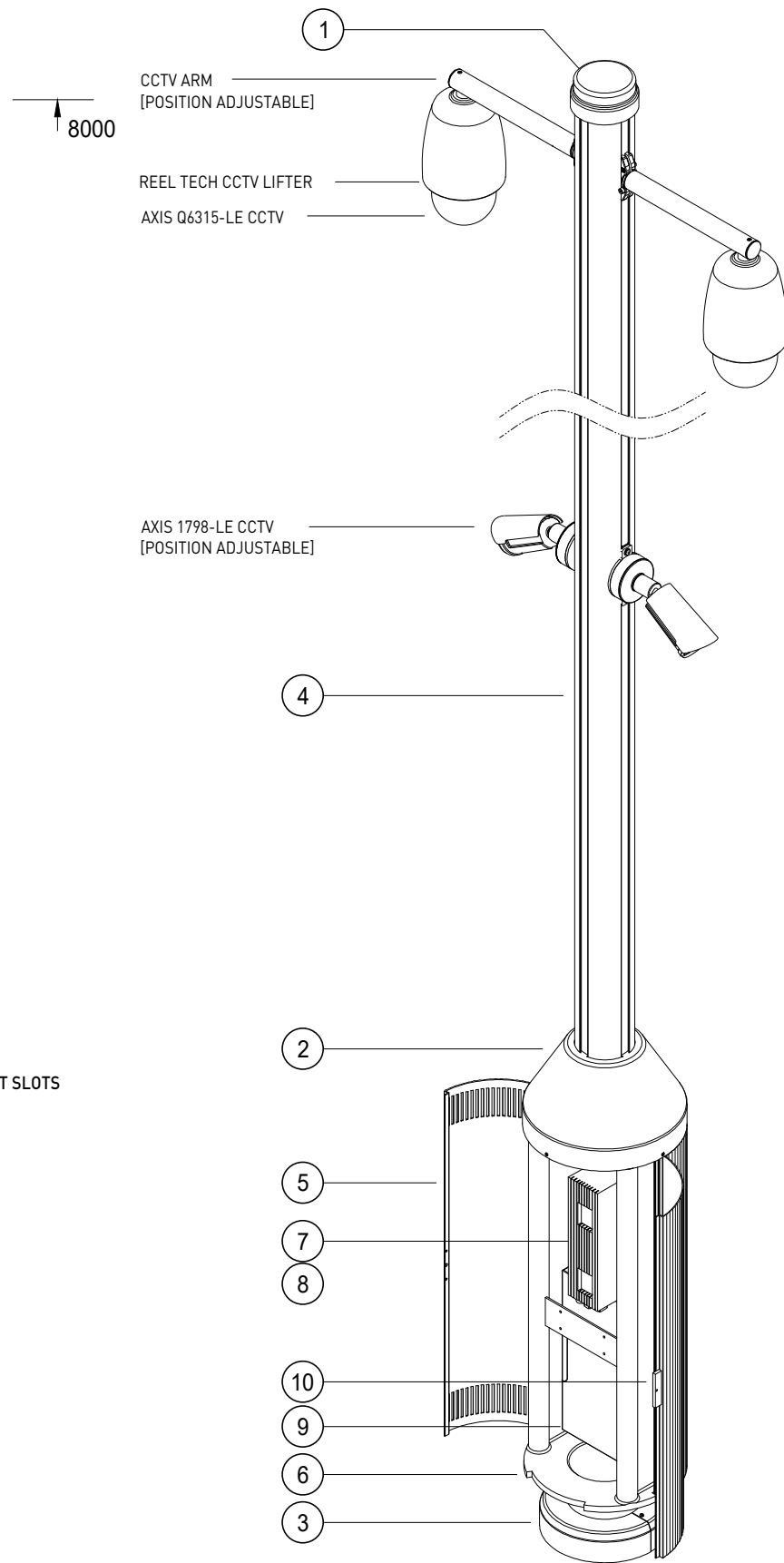
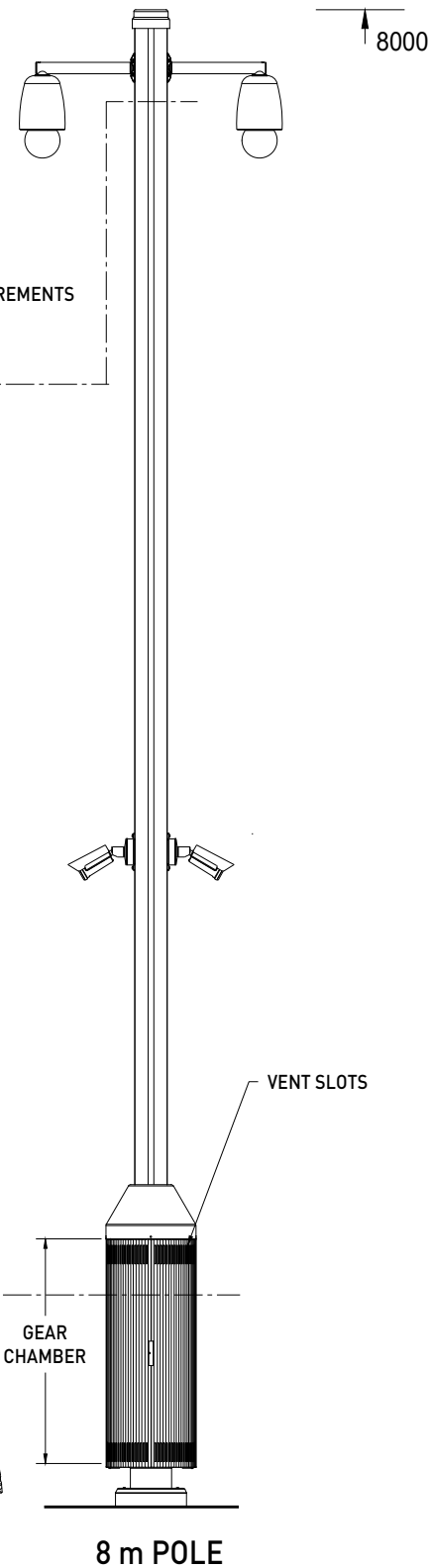
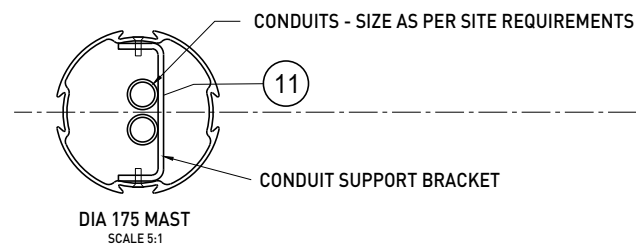


REV.	REVISION DETAILS	BY	DATE

Item No.	Title	Quantity
1	VENTILATED CAP	1
2	TRANSITION COVER	1
3	FOOTING COVER	2
4	MAST	1
5	DOOR	4
6	STEEL CHASSIS	1
7	BATTERY	2
8	BATTERY MOUNTING BRACKET	3
9	PC POWER MODULE	1
10	LOCK BEZEL	2
11	CONDUIT SUPPORT	1

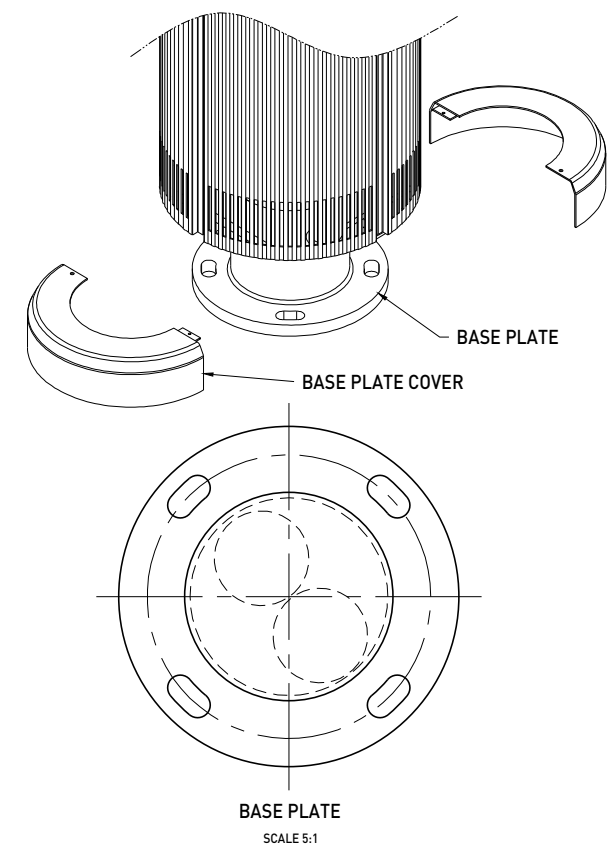
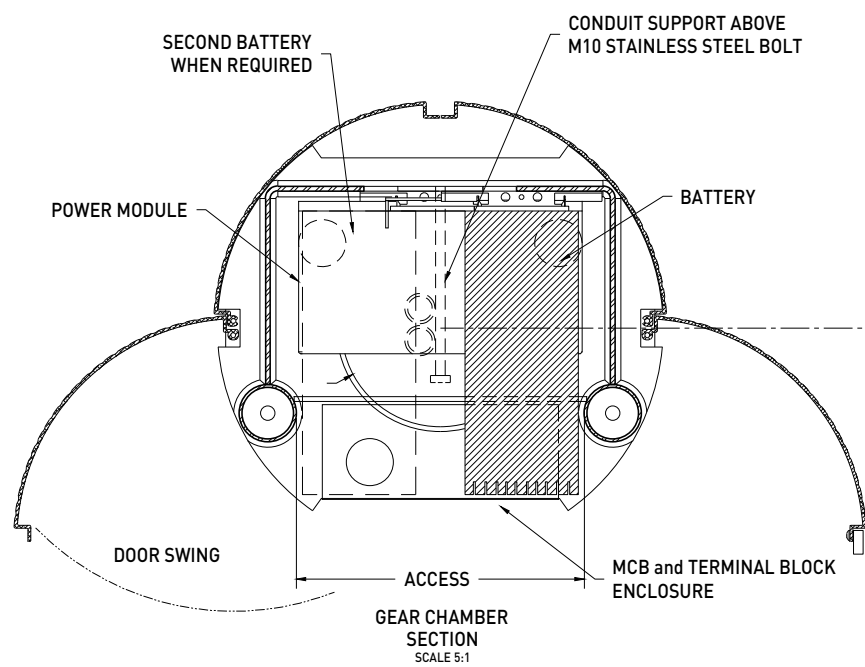


NOTE

ULTIMATE LIMIT STATE CRITERIA
The pole is designed to survive an ultimate design wind event of 140kph with a 1.3 gust factor equating to a gust wind speed of 50.5m/s.

SERVICEABILITY LIMIT STATE DESIGN
The highest possible mounting point of the pole must not deflect more than 25mm when the entire height of the pole is exposed to a wind pressure of 0.118kPa which equates to a wind speed of 14m/s or 50kph.
The pole deflects 23mm during a 50kph wind event. This is below (92%) the 25mm design criteria.

STRUCTURAL STANDARDS AND CODES
The analysis has been completed using the following standards:
Steel: AS/NZS 3678, AS/NZS 1163, ASTM A572, GB/T 3091
Galvanising: AS/NZS 4680
Aluminium: AS/NZS 1866
Welding: AS/NZS 1554.1
Loading: AS/NZS 1170.1
Wind: AS/NZS 1170.2
Design: AS 4100, AS/NZS 4600, AS/NZS 1664.1



NOTE
All poles manufactured in accordance with relevant standards

Soil testing, footing design and certification services available on request.

IP 65 rated electrical enclosures to be used for electrical connections.

All buried components to be coated with DUREBILD STE 150 microns

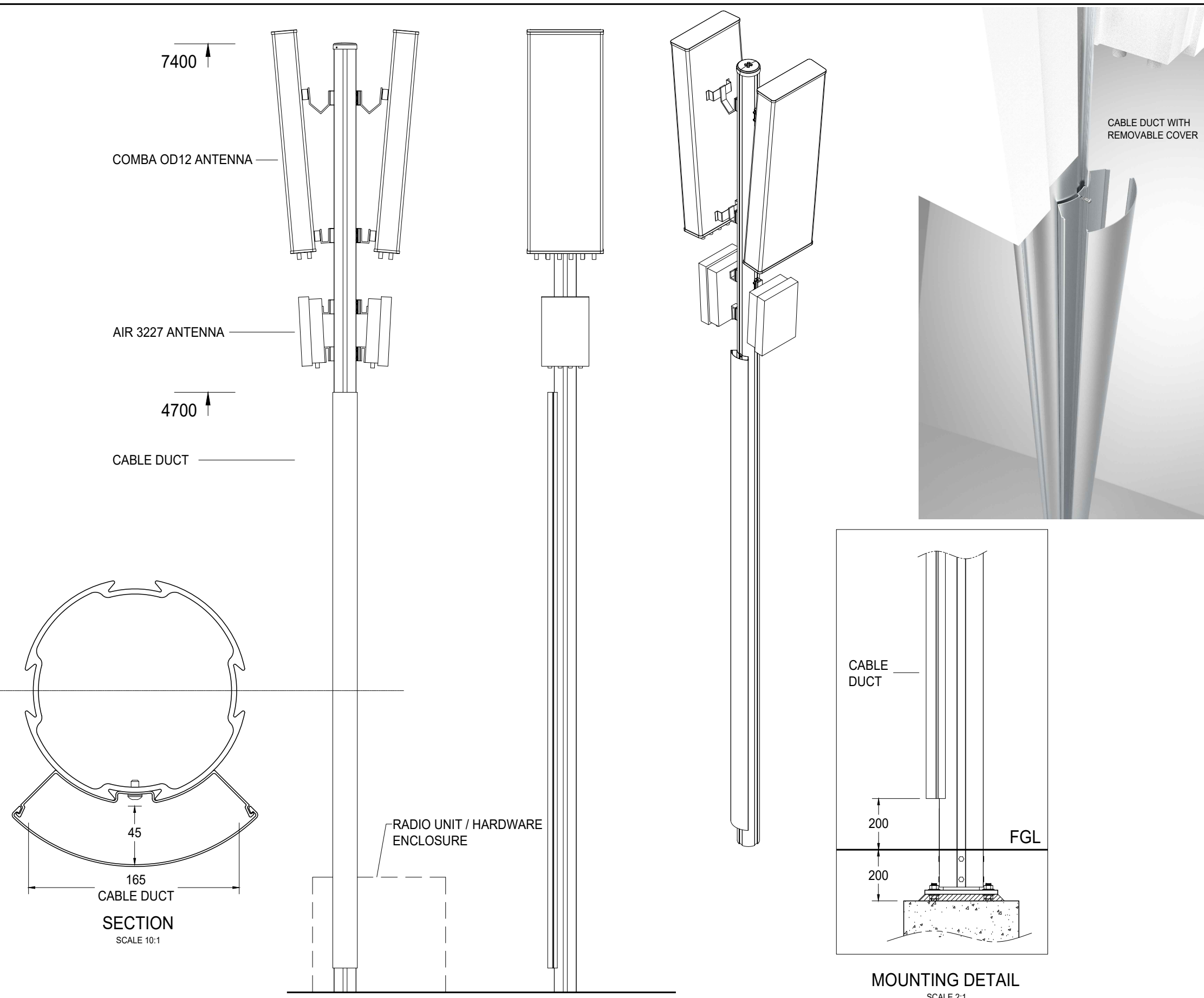
DO NOT SCALE DRAWING DIMENSIONS IN MILLIMETRES
THIRD ANGLE PROJECTION
DIMENSION TOLERANCES UNLESS OTHERWISE SPECIFIED
2 PLACE DECIMAL 0.00 ± 0.1mm
1 PLACE DECIMAL 0.0 ± 0.25mm
0 PLACE DECIMAL 0 ± 0.50mm
ANGULAR ± 15 MINUTES (0.25°)

DRAWN BY	DATE	SCALE
E.K.	29-FEB-24	N.T.S.
CHECKED BY	DATE	REVISION
A.B.	29-FEB-24	1
APPROVED BY	DATE	DATE RELEASED
A.B.	29-FEB-24	29-FEB-2024

Urban Aluminium Pty Ltd www.urban-al.com.au info@urban-al.com.au	GM POLES / Urban Aluminium 490 Freeman Road, Richlands QLD 4077 Australia	WEIGHT N/A
--	---	---------------

UrbanAluminium™ FUTURE SMART		
TITLE COMMS BASE CCTV POLE		
PROJECT MULTI-FUNCTION POLES	PART No. N/A	SHEET No. 1
DRAWING No. UA-REF001		

REV.	REVISION DETAILS	BY	DATE



© COPYRIGHT URBAN ALUMINIUM 2024

NOTE
 All poles manufactured in accordance with relevant standards
 Soil testing, footing design and certification services available on request.

IP 65 rated electrical enclosures to be used for electrical connections.
 All buried components to be coated with DUREBILD STE 150 microns

DO NOT SCALE DRAWING DIMENSIONS IN MILLIMETRES		DRAWN BY	DATE	SCALE
THIRD ANGLE PROJECTION		E.K.	07-MAR-24	N.T.S.
DIMENSION TOLERANCES UNLESS OTHERWISE SPECIFIED		CHECKED BY	DATE	REVISION
2 PLACE DECIMAL 0.00 ± 0.1mm		A.B.	07-MAR-24	1
1 PLACE DECIMAL 0.0 ± 0.25mm		APPROVED BY	DATE	DATE RELEASED
0 PLACE DECIMAL 0 ± 0.50mm		A.B.	07-MAR-24	07-MAR-2024
ANGULAR ± 15 MINUTES (0.25°)		WEIGHT		N/A
Urban Aluminium Pty Ltd www.urban-al.com.au info@urban-al.com.au		GM POLES / Urban Aluminium 490 Freeman Road, Richlands QLD 4077 Australia		

TITLE	
MULTI FUNCTION ANTENNA POLE	
PROJECT	PART No.
MULTI-FUNCTION POLES	N/A
DRAWING No. UA-REF0002	SHEET No. 1