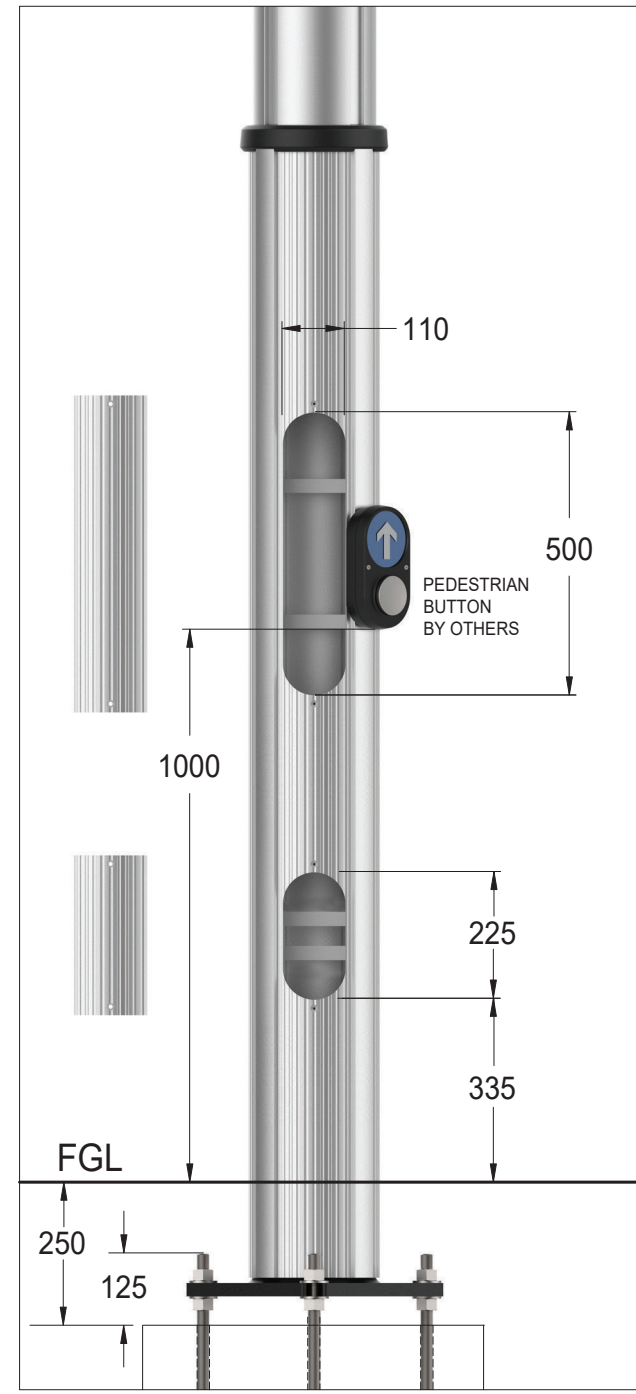
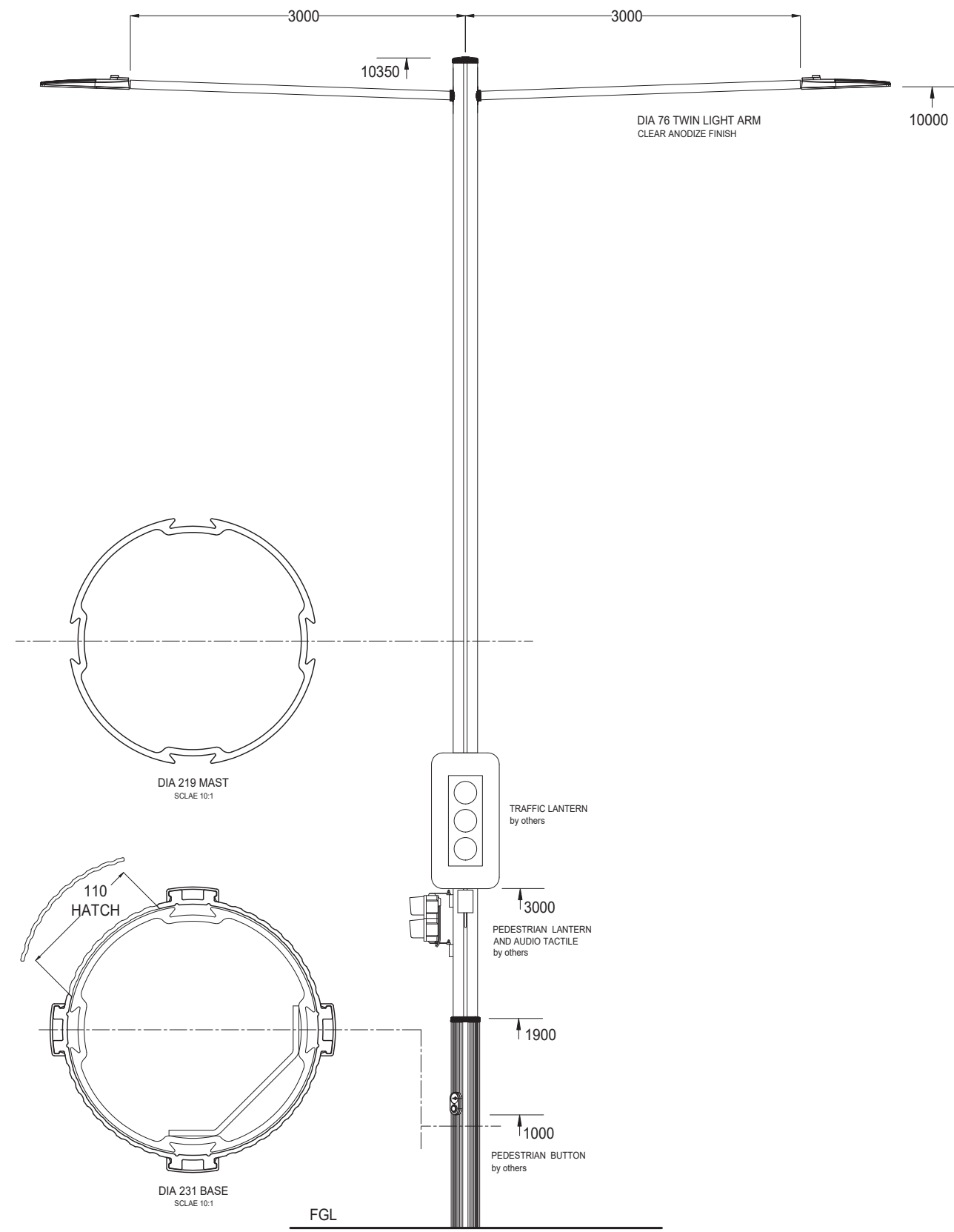


ISSUE	C.O. No.	REVISION	LOCATION	BY	DATE
A		350 > 400 PCD			14.6.19
B		BENEATH GROUND MOUNTING			12.7.19
C		GENERIC NAME & DETAILS			13.5.20



HIGH CAPACITY BASE DETAIL

**Foundation bolts
M24 @ 400 PCD**

NOTE
All poles manufactured in accordance with relevant standards

Pole footings to be engineered by others to suit local environmental and ground conditions.

NOTE

All extruded Aluminium components to be clear anodized 20-23Um

IP 65 rated electrical enclosures to be used for electrical connections.

All buried components to be coated with DUREBILD STE 150 microns

DO NOT SCALE DRAWING DIMENSIONS IN MILLIMETRES

THIRD ANGLE PROJECTION

DIMENSION TOLERANCES UNLESS OTHERWISE SPECIFIED
 2 PLACE DECIMAL 0.00 ± 0.1mm
 1 PLACE DECIMAL 0.0 ± 0.25mm
 0 PLACE DECIMAL 0 ± 0.50mm
 ANGULAR ± 15 MINUTES (0.25°)

SHEET

Urban Aluminium Pty Ltd
 www.urban-al.com.au
 info@urban-al.com.au

DRAWN BY AC DATE 6.2.19

CHECKED BY DATE

APPROVED BY DATE

QUALITY APPROVED BY DATE

Unit 10, 7 Gundah Rd,
 Mt Kuring-Gai NSW 2080
 AUSTRALIA

DOCUMENT No.

DISC FILE No.

SCALE

ISSUE **C**

DATE RELEASED

ITEM No.

UrbanAluminium™
 FUTURE SMART



TITLE

UA CITY MFP 10000 TS TWIN

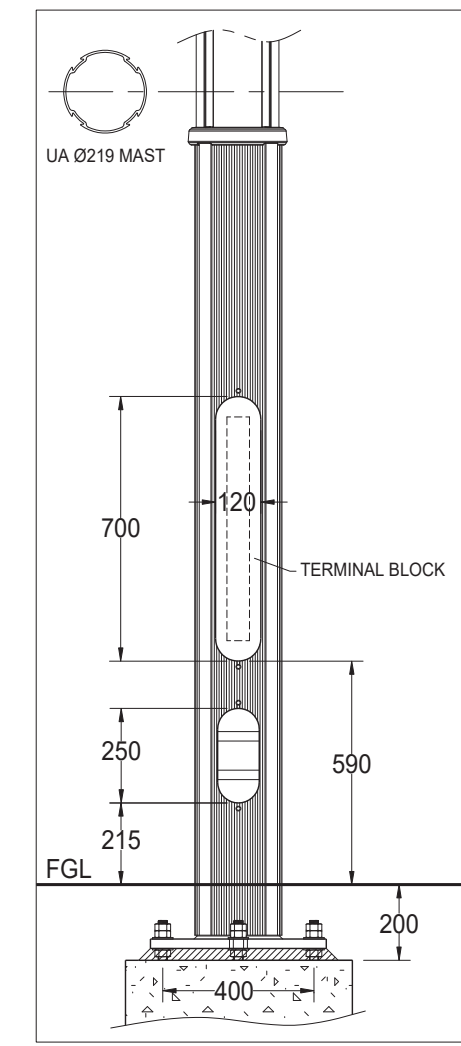
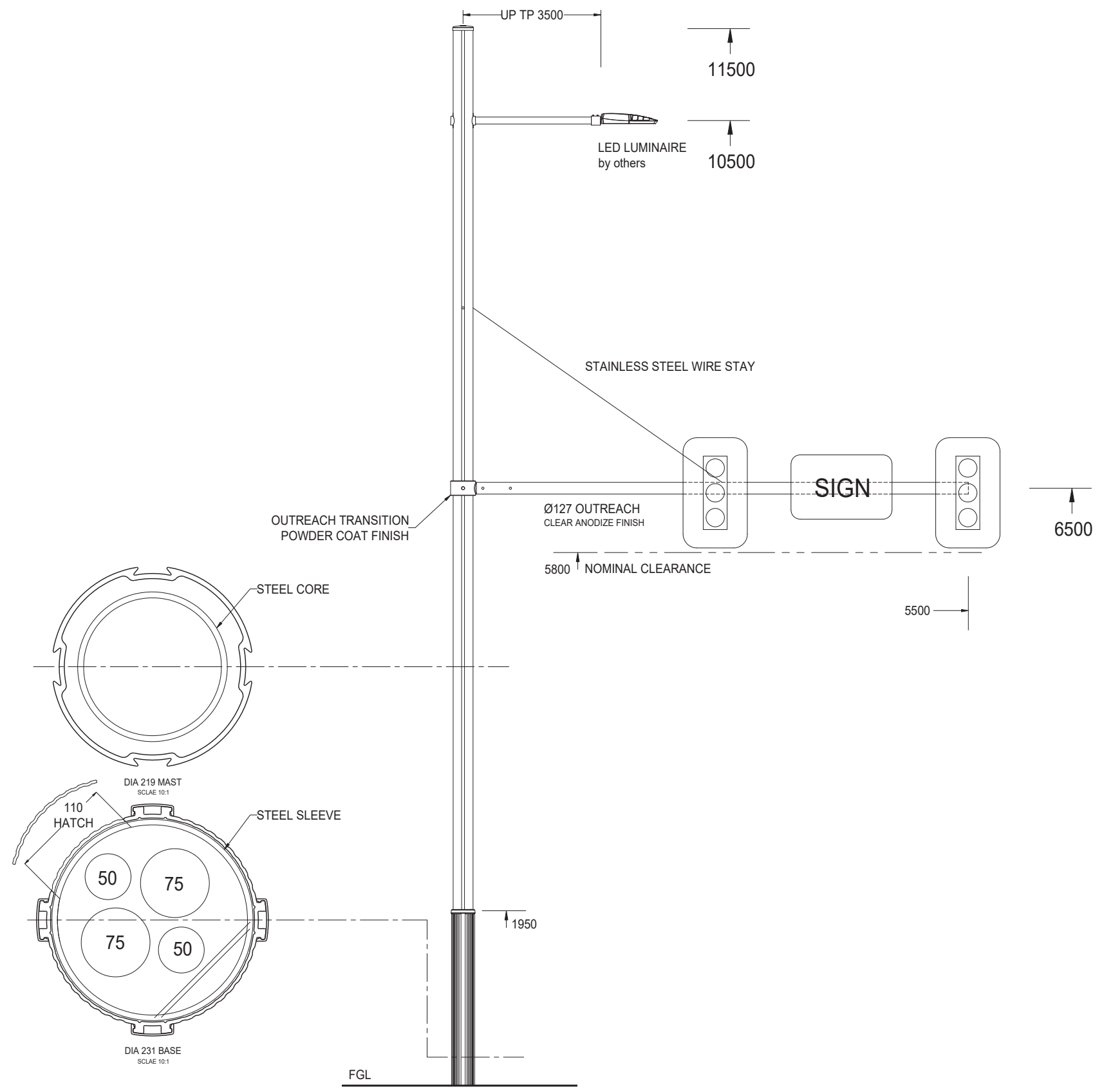
PROJECT
MULTI-FUNCTION POLES

DRAWING No.
UA-0080

PART No.

SHEET No.

ISSUE	C.O. No.	REVISION	LOCATION	BY	DATE



**Foundation Bolts
M24 @ 400 PCD**

NOTE
All poles manufactured in accordance with relevant standards

Soil testing, footing design and certification services available on request.

NOTE

All extruded Aluminium components to be clear anodized 20-23Um

IP 65 rated electrical enclosures to be used for electrical connections.
All buried components to be coated with **DUREBILD STE** 150 microns

DO NOT SCALE DRAWING
DIMENSIONS IN MILLIMETRES
THIRD ANGLE PROJECTION
DIMENSION TOLERANCES UNLESS OTHERWISE SPECIFIED
2 PLACE DECIMAL 0.00 ± 0.1mm
1 PLACE DECIMAL 0.0 ± 0.25mm
0 PLACE DECIMAL 0 ± 0.50mm
ANGULAR ± 15 MINUTES (0.25°)

SHEET

Urban Aluminium Pty Ltd
www.urban-al.com.au
info@urban-al.com.au

DRAWN BY AC	DATE 28/06/21	DOCUMENT No.
CHECKED BY	DATE	DISC FILE No.
APPROVED BY	DATE	SCALE
QUALITY APPROVED BY	DATE	ISSUE

DATE RELEASED	PART No.
ITEM No.	SHEET No.

UrbanAluminium™
FUTURE SMART



TITLE
CITY MFP TS TYPE 14 - 15

PROJECT
MULTI-FUNCTION POLES

DRAWING No.
UA-0589